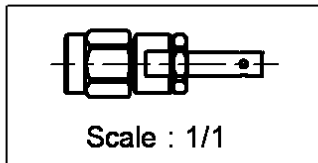
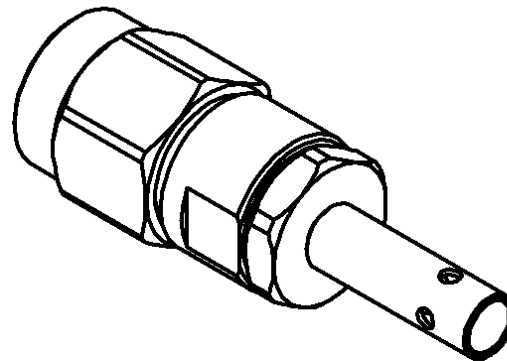
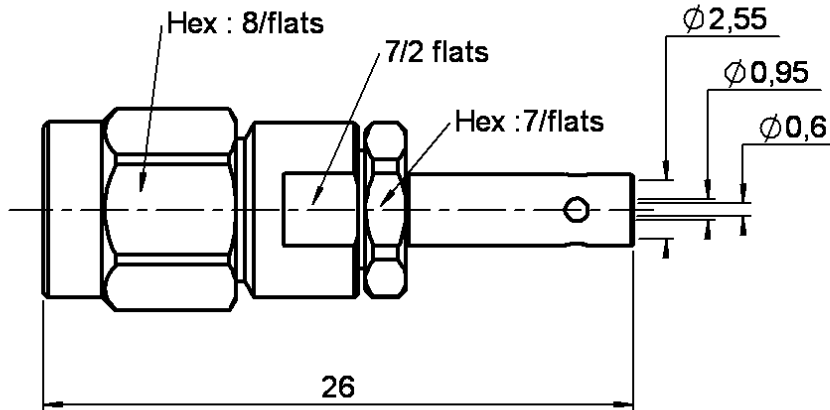


**STRAIGHT PLUG CRIMP OR SOLDER TYPE**

**R125.069.000**

**CABLE 2/50 S**

Series : SMA



All dimensions are in mm.

COMPONENTS	MATERIALS	PLATING
<b>BODY</b>	STAINLESS STEEL	<b>GOLD 0.5 OVER NICKEL 2 µm</b>
<b>CENTRE CONTACT</b>	BRASS	<b>GOLD 1.3 OVER NICKEL 2 µm</b>
<b>OUTER CONTACT</b>	-	- µm
<b>INSULATOR</b>	PTFE	
<b>GASKET</b>	SILICONE RUBBER	
<b>OTHERS PARTS</b>	STAINLESS STEEL	<b>GOLD 0.5 OVER NICKEL 2 µm</b>
-	-	-
-	-	-



**Edition : 9840 B**

Design changes may be in order to improve the product.

**STRAIGHT PLUG CRIMP OR SOLDER TYPE**

**R125.069.000**

**CABLE 2/50 S**

Series : **SMA**

**ELECTRICAL CHARACTERISTICS**

Impedance **50** Ω  
 Frequency **0-12.4** GHz  
 VSWR **1.20 + 0.025** x F(GHz) Maxi  
 Insertion loss **0.06** √F(GHz) dB  
 RF leakage - ( **60** - F(GHz)) dB mini  
 Operating temperature **-65/+165** °C  
 Voltage rating **170** Veff Maxi  
 Dielectric withstanding **500** Veff mini  
 Insulation resistance **5000** MΩ mini

**SPECIFICATION**

Stripping	a	b	c	d	e	f
mm	3.50	7.00	13.5	0.00	10.0	0.00

Assembly instruction : **Crimp 10**

Recommended cables  
 RG 178  
 KX 21  
 RG 196  
 RG 178 LC

Cable retention  
 - pull off **45** N mini  
 - torque **NA** N.cm

**MECHANICAL CHARACTERISTICS**

Centre contact retention  
 Axial force – Mating end **27** N mini  
 Axial force – Opposite end **27** N mini  
 Torque **NA** N.cm mini

**TOOLING**

Part Number	Description	Hexagon
.	.	.
R282.235.003	CRIMPING DIES	2.67
R282.211.000	CRIMPING TOOL	2.67
R282.293.000	CRIMPING TOOL	-

Recommended torque  
 Mating **100** N.cm  
 Panel nut **NA** N.cm  
 Clamp nut **120** N.cm  
 A/F clamp nut **7.000** mm

**OTHERS CHARACTERISTICS**

Mating life **500** Cycles mini  
 Weight **0.000** g

**ENVIRONMENTAL**

Hermetic seal **NA** Atm.cm3/s  
 Leakage – pressurised only **NA** Mpa

